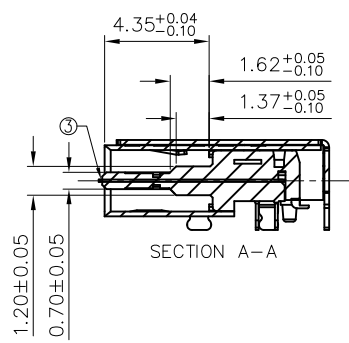
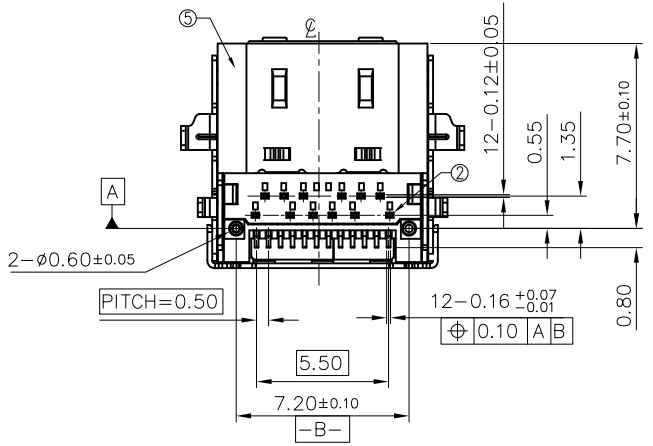
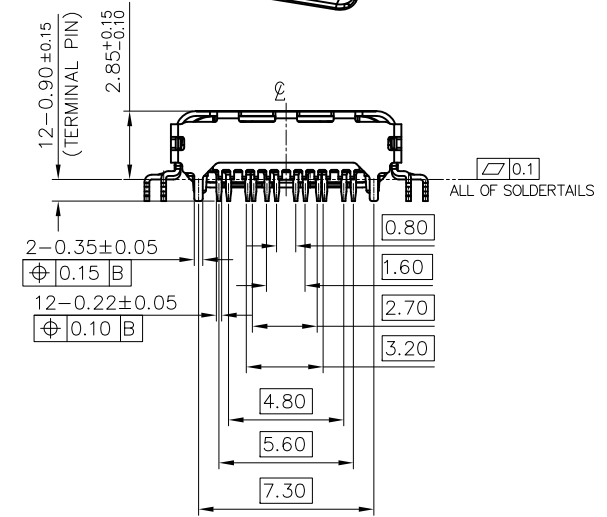
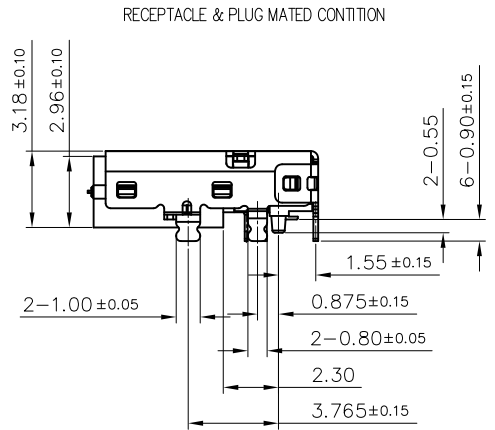
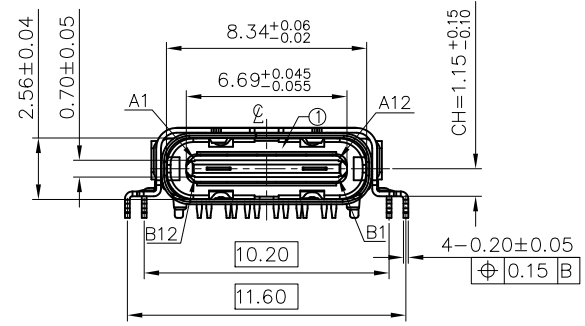
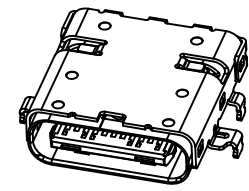


NOTES:
 1. MATERIAL: SEE TABLE
 2. FINISH: SEE TABLE
 3. SPEC. PLS. REFER TO PS-55907-xxxxx-V01 (QUANTA)
 4. PACKAGE PLS REFER TO 31831-024xx-xxx-PCK
 5. PART NUMBER: 31831-024XX-V01

NO OF CKT _____
 PACKING _____
 O: TAPE & REEL

PLATING
 P: 30u" Pd/Ni ON MATING AREA,
 MATTE Sn 60u" Min. ON SOLDERING AREA,
 80u" Min. NICKEL UNDER PLATING OVERALL



PIN ASSIGNMENT (FRONT VIEW)												
PIN NO.	A1	A2	A3	A4	A5	A6	A7	A8	A9	A10	A11	A12
SIGNAL NAME	GND	SSTXp1	SSTXn1	VBUS	CC1	Dp1	Dn1	SBU1	VBUS	SSRXn2	SSRXp2	GND
PIN NO.	B12	B11	B10	B9	B8	B7	B6	B5	B4	B3	B2	B1
SIGNAL NAME	GND	SSRXp1	SSRXn1	VBUS	SBU2	Dn2	Dp2	CC2	VBUS	SSTXn2	SSTXp2	GND

No.	DESCRIPTION	Q'TY	MATERIAL	PLATING & COLOR
5	INNER SHELL	1	SUS301	PLATED CHROMIUM
4	OUTER SHELL	1	SUS301	NICKEL PLATED 50u" Min.
3	GROUND PLATE	1	SUS301	NICKEL PLATED 50u" Min.
2	TERMINAL	24	C19400	SEE PART NO.
1	HOUSING	1	PA46 UL 94V-0(HFX61S)	MgFlat (GY71006)

QUALITY SYMBOLS		DRAWN BY	DATE
MAJOR	⊗	Chang, Chun Wei	18/06/26
CRITICAL	⊗	CHECKED BY	DATE
GENERAL TOLERANCES (UNLESS SPECIFIED)		Chang, Chun Te	18/06/26
X. ±0.5		APPROVED BY	DATE
.X ±0.3		Kuo, Rong Hsun	18/06/26
.XX ±0.2		UNITS	
.XXX ±0.1		mm	
ANGLES ±2°		SCALE	
		2:1	

ACES ELECTRONICS

TITLE: **USB 3.1 TYPE C REC CONN. HYBRID RIGHT-ANGLE TYPE**

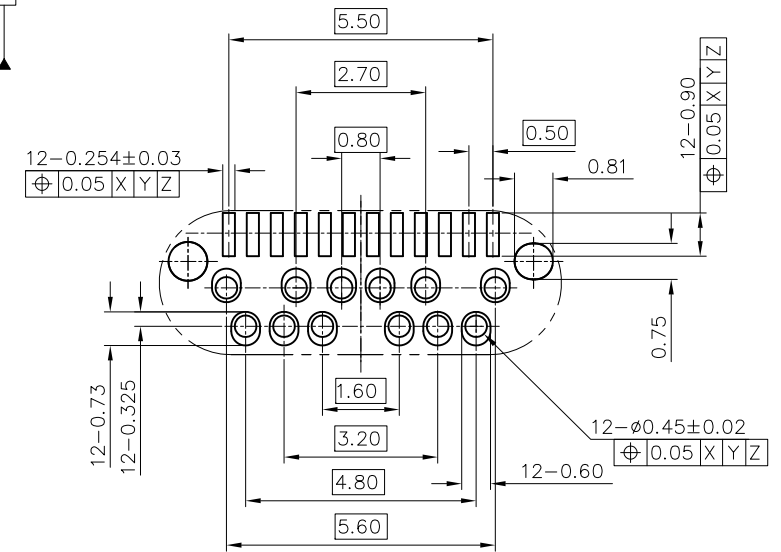
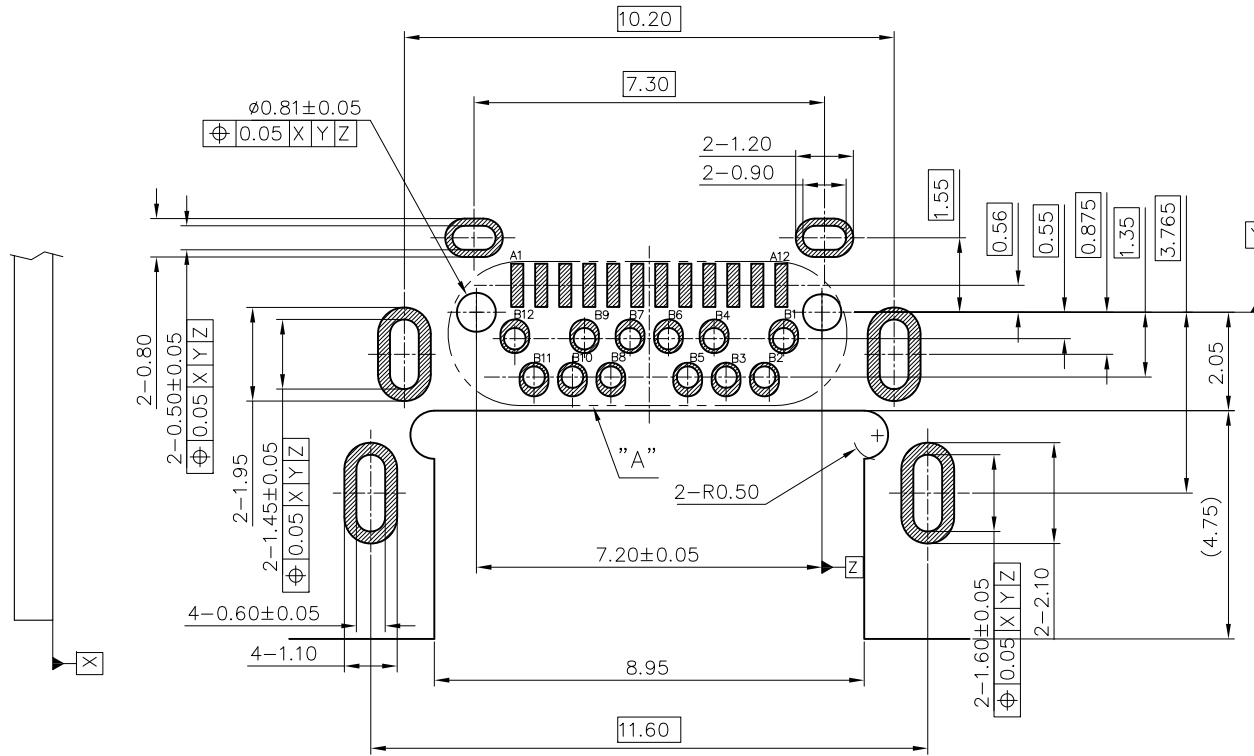
SIZE: **A4** DWG NO.: **31831-024XX-V01**

SCALE: **2:1** SHEET NO.: **1 OF 2** REV: **0** PART NO.: **SEE NOTES**



NOTES:

- 1.0 ELECTRICAL CHARACTERISTICS:
- 1.1 LOW LEVEL CONTACT RESISTANCE:
INITIAL : 40mΩ FOR ALL CONTACT MAX.
AFTER : 10mΩ MAX. CHANGE.
- 1.2 DIELECTRIC WITHSTANDING VOLTAGE :
100 VAC FOR 1 MINUTE SEA LEVEL.
- 1.3 INSULATION RESISTANCE :
100MΩ MIN.
- 1.4 CURRENT RATING :
VBUS AND GND CONTACT RATED AT 1.25 A EA .
PARALLELED FOR A TOTAL OF 5A .
- 2.0 MECHANICAL CHARACTERISTICS :
- 2.1 INSERTION FORCE : 5~20N.
- 2.2 EXTRACTION FORCE : INITIAL: 8N~20N.
AFTER LIFE TEST: 6N~20N.
- 2.3 DURABILITY : 10,000 CYCLES
- 3.0 OPERATING TEMPERATURE : -40°C TO +85°



RECOMMENDED PCB LAYOUT

TOP VIEW
SCALE 4:1
THICKNESS IS 1.0mm
TOLERANCE ± 0.05

DETAIL A

QUALITY SYMBOLS MAJOR CRITICAL GENERAL TOLERANCES (UNLESS SPECIFIED) X ±0.5 .X ±0.3 .XX ±0.2 .XXX ±0.1 ANGLES ±2°	DRAWN BY Chang, Chun Wei 18/06/26	DATE 18/06/26	
	CHECKED BY Chang, Chun Te 18/06/26	DATE 18/06/26	
APPROVED BY Kuo, Rong Hsun 18/06/26	DATE 18/06/26	UNITS mm	SIZE A4
SCALE 2:1	SHEET NO. 2 OF 2	REV 0	DWG NO. 31831-024XX-V01
			PART NO. SEE NOTES